



SGL35

Bezreduktorowa wciągarka linowa

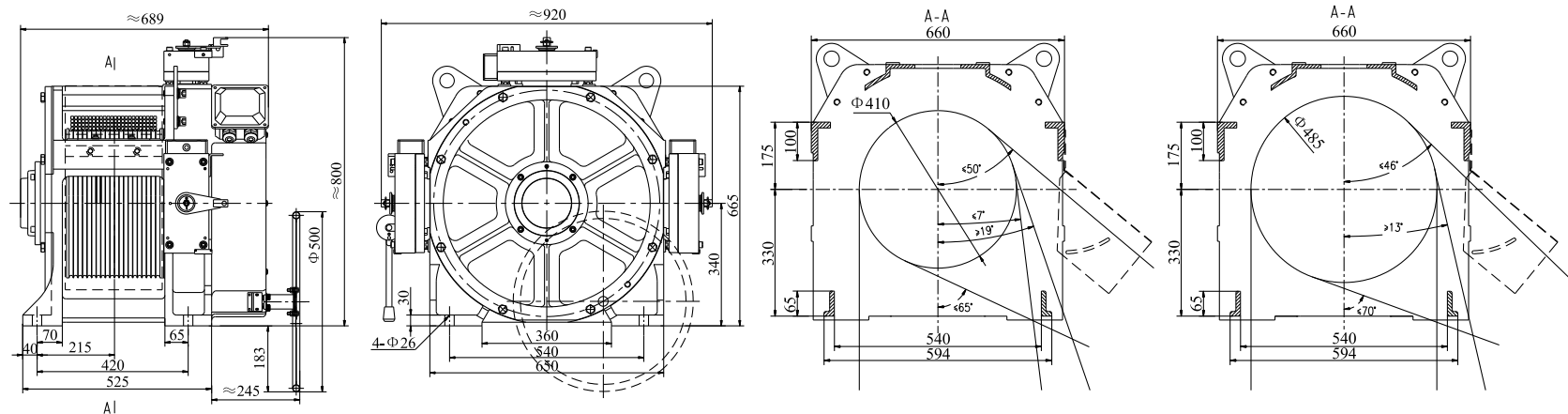
Zasilanie : 380V

Przełożenie : 2 : 1 / 1 : 1

FZD12C Hamulec : DC110V 3x1.5A / 2x1.5A

Przybliżona masa własna : 755kg

Maksymalne statyczne obciążenie wału : 11000kg



Nr kat.	Udźwig (kg)	Prędkość (m/s)	Średnica koła(mm)	Liny	DoublePrąd Roping (A)	MomentObroty Obr.(Nm) (rpm)	Częstość (Hz)	Moc (kW)	Bieguny Rating	INS.Class IP Code	Quantity of Hamperzełożenie	Przełożenie				
SGL35-102P0	1000	2.0	Φ410	12xΦ10x14	YES	27.8	670	186	49.6	13	32	S5(40%)	F	IP41	2	2:1
SGL35-102P5	1000	2.5	Φ485	12xΦ10x14	YES	34.1	790	197	52.5	16.3	32	S5(40%)	F	IP41	2	2:1
SGL35-121P0	1250	1.0	Φ410	12xΦ10x14	YES	17.8	840	93	24.8	8.2	32	S5(40%)	F	IP41	2	2:1
SGL35-121P5	1250	1.5	Φ410	12xΦ10x14	YES	28.2	840	140	37.3	12.3	32	S5(40%)	F	IP41	2	2:1
SGL35-121P6	1250	1.6	Φ410	12xΦ10x14	YES	28.2	840	149	39.7	13.1	32	S5(40%)	F	IP41	2	2:1
SGL35-121P7	1250	1.75	Φ410	12xΦ10x14	YES	31	840	163	43.5	14.3	32	S5(40%)	F	IP41	2	2:1
SGL35-122P0	1250	2.0	Φ410	12xΦ10x14	YES	34.5	840	186	49.6	16.4	32	S5(40%)	F	IP41	2	2:1
SGL35-122P5	1250	2.5	Φ485	12xΦ10x14	YES	42.6	990	197	52.5	20.4	32	S5(40%)	F	IP41	2	2:1
SGL35-131P0	1350	1.0	Φ410	14xΦ10x14	YES	19	910	93	24.8	8.9	32	S5(40%)	F	IP41	2	2:1
SGL35-131P5	1350	1.5	Φ410	14xΦ10x14	YES	30.2	910	140	37.3	13.3	32	S5(40%)	F	IP41	2	2:1
SGL35-131P6	1350	1.6	Φ410	14xΦ10x14	YES	30.2	910	149	39.7	14.2	32	S5(40%)	F	IP41	2	2:1
SGL35-131P7	1350	1.75	Φ410	14xΦ10x14	YES	33.7	910	163	43.5	15.5	32	S5(40%)	F	IP41	2	2:1
SGL35-132P0	1350	2.0	Φ410	14xΦ10x14	YES	38.1	910	186	49.6	17.7	32	S5(40%)	F	IP41	2	2:1
SGL35-132P5	1350	2.5	Φ485	14xΦ10x14	YES	46.7	1070	197	52.5	22.1	32	S5(40%)	F	IP41	3	2:1
SGL35-161P0	1600	1.0	Φ410	14xΦ10x14	YES	22.8	1080	93	24.8	10.5	32	S5(40%)	F	IP41	3	2:1
SGL35-161P5	1600	1.5	Φ410	14xΦ10x14	YES	36.5	1080	140	37.3	15.8	32	S5(40%)	F	IP41	3	2:1
SGL35-161P6	1600	1.6	Φ410	14xΦ10x14	YES	36.5	1080	149	39.7	16.9	32	S5(40%)	F	IP41	3	2:1
SGL35-161P7	1600	1.75	Φ410	14xΦ10x14	YES	39.8	1080	163	43.5	18.4	32	S5(40%)	F	IP41	3	2:1
SGL35-162P0	1600	2.0	Φ410	14xΦ10x14	YES	45.5	1080	186	49.6	21	32	S5(40%)	F	IP41	3	2:1
SGL35-162P5	1600	2.5	Φ485	14xΦ10x14	YES	58.1	1270	197	52.5	26.2	32	S5(40%)	F	IP41	3	2:1
SGL35-201P0	2000	1.0	Φ410	18xΦ10x14	YES	30.2	1350	93	24.8	13.1	32	S5(40%)	F	IP41	3	2:1
SGL35-201P5	2000	1.5	Φ410	18xΦ10x14	YES	46.9	1350	140	37.3	19.8	32	S5(40%)	F	IP41	3	2:1
SGL35-201P6	2000	1.6	Φ410	18xΦ10x14	YES	46.9	1350	149	39.7	21.1	32	S5(40%)	F	IP41	3	2:1
SGL35-201P7	2000	1.75	Φ410	18xΦ10x14	YES	50.3	1350	163	43.5	23	32	S5(40%)	F	IP41	3	2:1
SGL35-202P0	2000	2.0	Φ410	18xΦ10x14	YES	57.9	1350	186	49.6	26.3	32	S5(40%)	F	IP41	3	2:1
SGL35-202P5	2000	2.5	Φ485	18xΦ10x14	YES	67	1550	197	52.5	32	32	S5(40%)	F	IP41	3	2:1
SGL35-221P0	2250	1.0	Φ410	18xΦ10x14	YES	34.9	1550	93	24.8	15.1	32	S5(40%)	F	IP41	3	2:1
SGL35-221P5	2250	1.5	Φ410	18xΦ10x14	YES	53.9	1550	140	37.3	22.7	32	S5(40%)	F	IP41	3	2:1
SGL35-221P6	2250	1.6	Φ410	18xΦ10x14	YES	53.9	1550	149	39.7	24.2	32	S5(40%)	F	IP41	3	2:1
SGL35-221P7	2250	1.75	Φ410	18xΦ10x14	YES	59	1550	163	43.5	26.5	32	S5(40%)	F	IP41	3	2:1
SGL35-222P0	2250	2.0	Φ410	18xΦ10x14	YES	67.4	1550	186	49.6	30.2	32	S5(40%)	F	IP41	3	2:1
SGL35-101P0-1	1000	1.0	Φ410	18xΦ10x12	YES	16.5	1350	47	12.5	6.6	32	S5(40%)	F	IP41	3	1:1
SGL35-101P5-1	1000	1.5	Φ410	18xΦ10x12	YES	24.5	1350	70	18.7	9.9	32	S5(40%)	F	IP41	3	1:1
SGL35-101P6-1	1000	1.6	Φ410	18xΦ10x12	YES	24.5	1350	75	20	10.6	32	S5(40%)	F	IP41	3	1:1
SGL35-101P7-1	1000	1.75	Φ410	18xΦ10x12	YES	26	1350	82	21.9	11.6	32	S5(40%)	F	IP41	3	1:1
SGL35-102P0-1	1000	2.0	Φ410	18xΦ10x12	YES	30.2	1350	93	24.8	13.1	32	S5(40%)	F	IP41	3	1:1
SGL35-102P5-1	1000	2.5	Φ410	18xΦ10x12	YES	36.7	1350	116	30.9	16.4	32	S5(40%)	F	IP41	3	1:1
SGL35-111P0-1	1150	1.0	Φ410	20xΦ10x12	YES	18.5	1550	47	12.5	7.6	32	S5(40%)	F	IP41	3	1:1
SGL35-111P5-1	1150	1.5	Φ410	20xΦ10x12	YES	27.6	1550	70	18.7	11.4	32	S5(40%)	F	IP41	3	1:1
SGL35-111P6-1	1150	1.6	Φ410	20xΦ10x12	YES	27.6	1550	75	20	12.2	32	S5(40%)	F	IP41	3	1:1
SGL35-111P7-1	1150	1.75	Φ410	20xΦ10x12	YES	30.2	1550	82	21.9	13.3	32	S5(40%)	F	IP41	3	1:1
SGL35-112P0-1	1150	2.0	Φ410	20xΦ10x12	YES	34.9	1550	93	24.8	15.1	32	S5(40%)	F	IP41	3	1:1
SGL35-112P5-1	1150	2.5	Φ410	20xΦ10x12	YES	42.3	1550	116	30.9	18.8	32	S5(40%)	F	IP41	3	1:1